

OPERATING INSTRUCTIONS FOR STREAMLIGHT SIDEWINDER® X

Thank you for selecting the Sidewinder® X flashlight. As with any fine tool, reasonable care and maintenance of this product will provide years of dependable service. Please read this manual before using your Sidewinder® X.

SAVE THESE INSTRUCTIONS. This guide contains important safety and operating instructions for your Sidewinder® X.

LED SAFETY

CAUTION LED RADIATION (RG-2); VISIBLE AND INVISIBLE. DO NOT STARE INTO BEAM. MAY BE HARMFUL TO EYES. PER IEC 62471 Ed 1.0:2006-07.

BATTERY SAFETY

CAUTION EXPLOSION RISK, BURN, AND FIRE HAZARD. DO NOT DISASSEMBLE, CRUSH, SHORT CIRCUIT, HEAT ABOVE 140°F (60°C), OR DISCARD IN FIRE. DO NOT MIX ALKALINE OR LITHIUM BATTERIES OF DIFFERENT BRANDS OR OLD WITH NEW BATTERIES. DO NOT RECHARGE ALKALINE OR LITHIUM PRIMARY CELLS. KEEP AWAY FROM CHILDREN. BATTERIES MUST BE RECYCLED OR DISPOSED OF PROPERLY.

BATTERY INSTALLATION / REMOVAL

The Sidewinder® X can be powered with two AA alkaline or lithium batteries, one CR123A, or one SL-B9® protected Li-ion rechargeable battery. Access the battery compartment by unscrewing the thumbscrew in the door. Insert fresh batteries into the flashlight body (polarity for AA batteries is indicated on the outside of the flashlight, CR123A and SL-B9® batteries should be inserted positive end first). Close the door and tighten the thumbscrew.

Note: The waterproof seal on the battery compartment requires the door thumbscrew to be only finger tight. Do not overtighten the thumbscrew.

SL-B9® USB BATTERY CHARGING

NOTICE Fully charge SL-B9® battery before first use.

To charge the SL-B9® battery, insert the USB-C plug into the connector near the positive end of the battery. The battery may be left plugged into a USB-C cable continuously, there is no danger of overcharging.

LED Charge Indicator

- Charging ... Red LED is on.
- Charged ... Green LED is on.

The charge time is approximately 2.5 hours.

GENERAL OPERATION

The integrated switch/selector is located on the side of the flashlight's adjustable head. The center pushbutton on/off switch operates with a single click for low power, fast double-click for blink mode (120 beats per minute) or push and hold to fully cycle through four LED intensities (low → med1 → med2 → high → med2 → med1 → low). The selector knob features a raised indicator for IR indication. Pull the knob outward and rotate to select LED color. Adjusting the knob to another color will change the color mode but will have no effect on the output intensity. See table for model-specific operation.

Abbreviations:

- AVI – Aviation/Rescue Product Version
- UC – User Configurable Product Version
- MIL – Military Product Version
- R/G/B/W – Red / Green / Blue / White
- IR – Infrared
- C – Configurable Color

Model (LED configuration)	Raised Indicator Toward Lens	90° Clockwise Rotation	180° Clockwise Rotation	270° Clockwise Rotation
MIL (W/B/IR/R)	IR	Red	White	Blue
AVI (W/B/IR/G)	IR	Green	White	Blue
UC (W/C/IR/C)	IR	Configurable	White	Configurable

Note: Store the Sidewinder® X with the raised indicator of the selector knob in the “IR SAFE” position as noted on the head to avoid accidental IR emission.

Accessing Beacon Mode:

The beacon mode will flash at 50 beats per minute at any desired color setting. Starting with the flashlight turned off, double tap the switch to initiate blink mode. Once the Sidewinder® X is in blink mode, press and hold the power button for approximately 1 second to enter beacon mode. Rotate the selector knob if another color is desired. An additional press of the button will turn the light off.

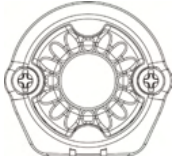
User Configurable Product Version:

The UC version has a default color assignment equivalent to MIL (W/B/IR/R). The color assignment can be changed by first selecting the desired configurable color position (C). Then, with the light off, tap 5 times within 2 seconds and hold the last tap for approximately 1 second until the light cycles through the available color options (red, green, blue). Release the switch to program the desired color.

MOUNTING OPTIONS

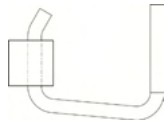
The MOLLE clip can be mounted to either side of the Sidewinder® X body and a lanyard hole is found near the door hinge.

Optional Helmet Mount

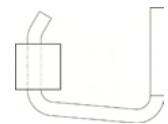


The Sidewinder® X helmet mount is designed to allow hands-free use of the flashlight for task-specific lighting. The mount will fit PASGT, ACH, MICH, and ECH style helmets, depending on the bracket selected and orientation of the rectangular rubber sleeve.

Bracket Selection and Sleeve Orientation:



ECH Helmet, Size XL
- Select Wide Bracket with grey finish.
- Install Sleeve, thick side away from V-shape.



ECH Helmet, Size S, M, L
- Select Wide Bracket with grey finish.
- Install Sleeve, thick side toward V-shape.

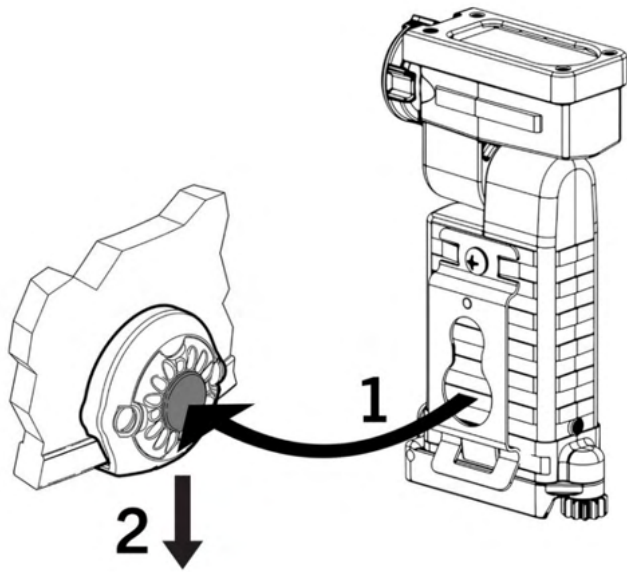


PASGT, ACH, and MICH Helmets
- Select Narrow Bracket with black finish.
- Install Sleeve, thick side toward V-shape.



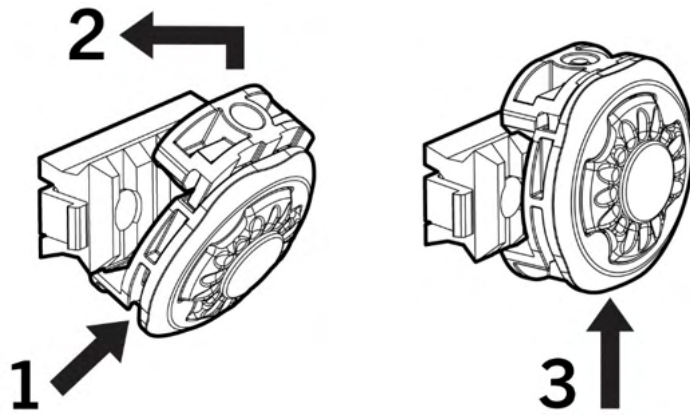
Bracket Installation on Helmet brim:

1. Select the desired mounting location. Place the selected bracket and sleeve onto the brim of the helmet with the V-shaped side outward.
2. Align the mount base over the bracket. Insert and tighten the mounting screws to assure firm attachment.
3. Attach the Sidewinder® X by placing the large opening in the MOLLE clip over the round post on the helmet mount. Press inward against the mount and slide downward until the Sidewinder® X locks into place.
4. The Sidewinder can be adjusted to provide illumination as needed. Release the Sidewinder® X from the helmet mount by pressing inward against the mount and sliding upward.



(NOT for use on firearms)

The Sidewinder® X helmet rail mount is specifically designed for easy attachment to FAST, BUMP, and ACH-ARC style helmets. It is not designed for use in weapon mounted applications.

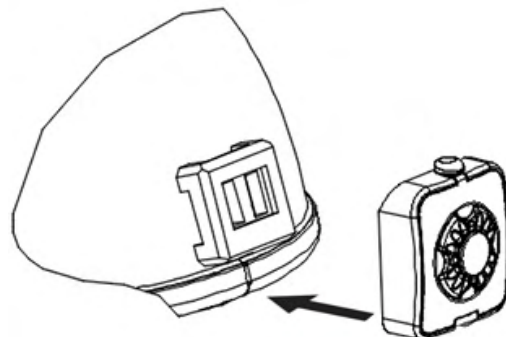


1. Loosen the slotted tension screw with a screwdriver to open the moveable side of the mounting clamp.
2. Place the mount at the desired position on the helmet rail and position the tension screw into the appropriate rail groove.
3. Fully tighten the tension screw.

Optional Aviation NVG Mount

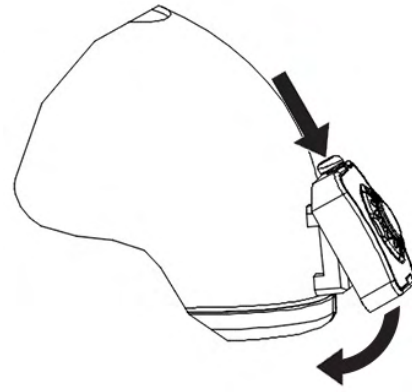
Mount Installation:

1. Place Aviation NVG mount in front of helmet bracket with release button upward.
2. Align and slightly tilt mount to hook inside, top onto bracket. Press bottom of mount inwards toward helmet and snap into place. Check to assure attachment.



Mount Removal:

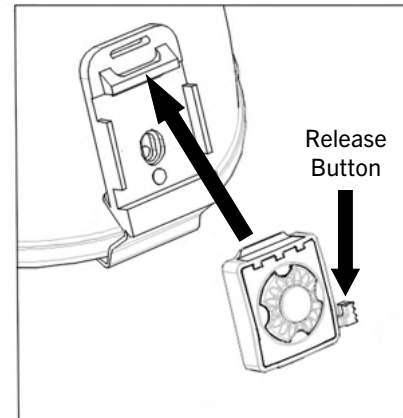
1. Push release button and swing lower portion of mount outward to release.



Optional Tactical NVG Mount

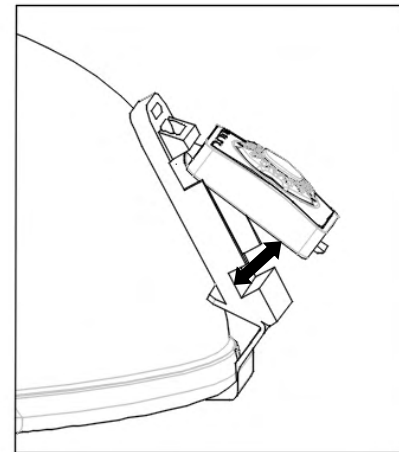
Mount Installation:

1. Place NVG mount in front of helmet bracket with mounting tab toward the bracket's raised slot and the release button down and to the right.
2. Align and slightly tilt mount to hook inside, top onto bracket. Press bottom of mount inward toward helmet and snap into place. Check to assure attachment. Release button should not be loose.



Mount Removal:

1. Push release button and swing lower portion of mount outward to remove from NVG bracket.



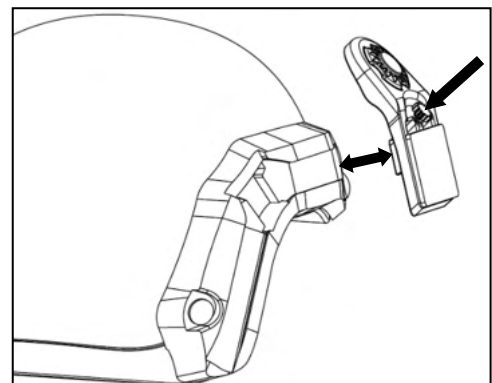
Optional Contour ARC Rail Mount

Mount Installation:

1. Slide Contour ARC Rail Mount into the slot of the helmet rail. Tighten the thumbscrew to secure the mount to the rail in the desired location.

Mount Removal:

1. Loosen the thumbscrew and slide the Contour ARC Rail Mount to remove.



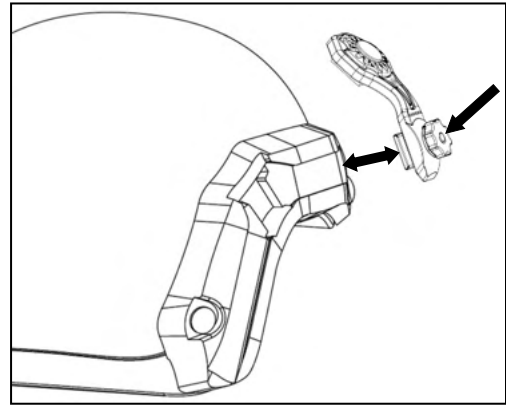
Optional High Offset Mount

Mount Installation:

1. Slide the High Offset Mount into the slot of the helmet rail. Tighten the knob to secure the mount to the rail in the desired location.

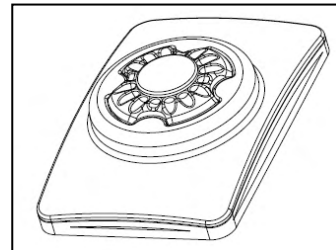
Mount Removal:

1. Loosen the knob and slide the High Offset Mount to remove.



Optional Hook and Loop Mount

The mount is compatible with FAST, ACH, and MICH helmets and other surfaces with loop fastener material. The hook and loop mount attaches to the helmet or other surfaces and allows hands-free use of the flashlight for task-oriented lighting.



PRODUCT USE

Streamlight flashlights are intended for use as high intensity, heavy duty, and portable light sources. Use of Streamlight flashlights for any purpose other than as light sources is specifically discouraged by the manufacturer. Streamlight specifically disclaims liability for other than recommended use.

NOTICE Be sure to use only genuine Streamlight replacement parts to ensure product safety. Substitution may invalidate the product approval. Do not try to repair the unit yourself. Send to a qualified service facility or return it to the factory.

STREAMLIGHT SIDEWINDER® X LIMITED WARRANTY

Streamlight warrants its Sidewinder® X (except batteries) will be free from manufacturing defects under normal use for 12 months after purchase. During the warranty period, at its sole discretion, Streamlight will repair or replace any defective part or product. **TO THE EXTENT ALLOWED BY LAW, STREAMLIGHT DISCLAIMS ALL OTHER WARRANTIES, EXPRESSED OR IMPLIED, INCLUDING WARRANTIES OF MERCHANTABILITY AND FITNESS FOR A PARTICULAR PURPOSE. STREAMLIGHT SHALL NOT BE LIABLE FOR ANY DIRECT, INDIRECT, OR CONSEQUENTIAL DAMAGES.**

Go to streamlight.com/support for a complete copy of the warranty. To register your product, go to streamlight.com (Online Product Registration). Retain your receipt or any proof of purchase.

SERVICE OPTIONS

The Sidewinder® X contains few or no user-serviceable parts.

For Service options, go to streamlight.com/support/service and complete the Online Service Request for factory service or to find the location of an authorized Streamlight repair center near you.

Or contact:

Customer Service
© Streamlight, Inc.
30 Eagleville Road
Suite 100
Eagleville, PA 19403-3996, USA
Phone: (800) 523-7488 Toll-Free / +1 (610) 631-0600
Fax: (800) 220-7007 / +1 (610) 631-0712
Email: cs@streamlight.com